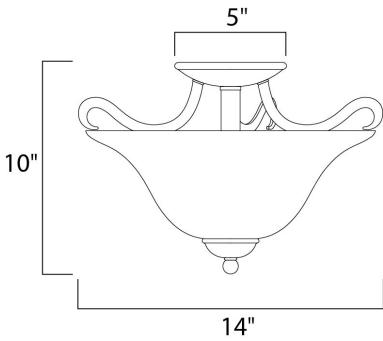




**PRODUCT DESCRIPTION**

The contemporary Basix EE collection features sweeping arms and clean lines. Basix EE is offered in choice of Ice glass with Satin Nickel finish or Wilshire glass with Oil Rubbed Bronze finish. Fixtures include energy efficient, long lasting and low maintenance compact fluorescent bulbs, with select fixtures being Energy Star certified.




**MEASUREMENTS**

DIMENSION : 14" W x 10" H  
 CANOPY : 5" W x 1" H x 5" L  
 HANGING WEIGHT : 4.41 lb

**LAMPING**

INPUT VOLTAGE : 120V  
 LUMENS : 1,800 Rated  
 BULB : 2 x 13W Fluorescent GU24 , 26W Total  
 BULB INCLUDED : (Included)  
 DIMMABLE : No  
 CRI : 80+ CRI  
 COLOR\_TEMP : 2700K

**FINISHES OPTION**

 Satin Nickel (SN)

**GLASS**

Ice IC

**MATERIAL**

Steel

**RATINGS**

Dry Location  
 CA Title 24



**ADDITIONAL**

INCANDESCENT WATTS: 164  
 RATED LIFE 10000 Hours  
 OPERATING TEMPERATURE:  
 -20°C (-4°F), 40°C (104°F)

Always consult a qualified electrician before installing any lighting product.



WESTERN DISTRIBUTION CENTER (HEADQUARTER)  
 253 NORTH VINELAND AVE | CITY OF INDUSTRY, CA 91746

EASTERN DISTRIBUTION CENTER  
 101 GARDNER PARK | PEACHTREE CITY, GA 30269

P. 626.956.4200 | F. 626.956.4225 | maximlighting.com