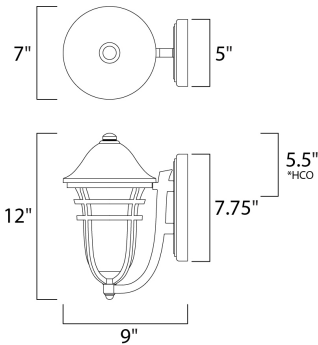




PRODUCT DESCRIPTION



*height from center of outlet to the top of the fixture

MEASUREMENTS

DIMENSION : 7" W x 12" H x 9" Ext
 BACK PLATE : 5" W x 7.75" H x 5.5" HCO
 HANGING WEIGHT : 3.78 lb

LAMPING

INPUT VOLTAGE : 120V
 LUMENS : 910 Rated
 BULB : 1 x 13W Fluorescent GU24 , 13W Total
 BULB INCLUDED : (Included)
 DIMMABLE : No

FINISHES OPTION

 Artesian Bronze (AT)

GLASS

Wisp WP

MATERIAL

Die Cast Aluminum

RATINGS

Wet Location



ADDITIONAL

OPERATING TEMPERATURE:
 -20°C (-4°F), 40°C (104°F)

Always consult a qualified electrician before installing any lighting product.



WESTERN DISTRIBUTION CENTER (HEADQUARTER)
 253 NORTH VINELAND AVE | CITY OF INDUSTRY, CA 91746

EASTERN DISTRIBUTION CENTER
 101 GARDNER PARK | PEACHTREE CITY, GA 30269

P. 626.956.4200 | F. 626.956.4225 | maximlighting.com