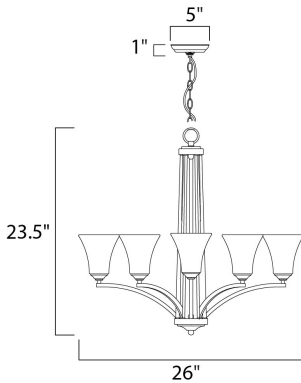




PRODUCT DESCRIPTION

Straight lines and curves make the energy efficient contemporary Aurora EE collection a classic. Square metal tubing finished in Satin Nickel support tapered square Frost glass shades. Fixtures include energy efficient, long lasting and low maintenance compact fluorescent bulbs.



MEASUREMENTS

DIMENSION : 26" W x 23.5" H
 CANOPY : 5" W x 1" H x 5" L
 HANGING WEIGHT : 13.44 lb

LAMPING

LUMENS : 4,500 Rated
 BULB : 5 x 13W Fluorescent GU24 , 65W Total
 BULB INCLUDED : (Included)
 DIMMABLE : No
 CRI : 81-82 CRI
 COLOR_TEMP : 2700K

FINISHES OPTION

 Satin Nickel

GLASS

Frosted FT

MATERIAL

Metal

RATINGS

Dry Location
 Energy Star



ADDITIONAL

INCANDESCENT WATTS: 409
 RATED LIFE 10000 Hours
 OPERATING TEMPERATURE:
 -20°C (-4°F), 40°C (104°F)

Always consult a qualified electrician before installing any lighting product.



WESTERN DISTRIBUTION CENTER (HEADQUARTER)
 253 NORTH VINELAND AVE | CITY OF INDUSTRY, CA 91746

EASTERN DISTRIBUTION CENTER
 4200 SHIRLEY DR. | ATLANTA, GA 30336

P. 626.956.4200 | F. 626.956.4225 | maximlighting.com