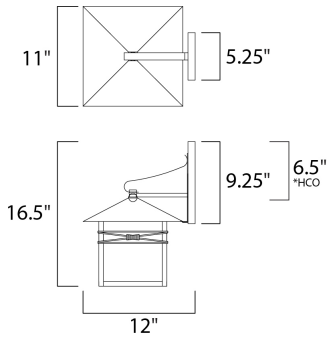




**PRODUCT DESCRIPTION**

Inglenook is a transitional style collection from Maxim Lighting International in Burnished with Iridescent glass.



**MEASUREMENTS**


DIMENSION : 11" W x 16.5" H x 12" Ext  
 BACK PLATE : 5.25" W x 9.25" H x 6.5" HCO  
 HANGING WEIGHT : 6.16 lb

**LAMPING**

INPUT VOLTAGE : 120V  
 BULB : 1 x 60W Incandescent E26 Medium , 60W Total  
 BULB INCLUDED : (Not Included)  
 DIMMABLE : Yes

\*height from center of outlet to the top of the fixture

**FINISHES OPTION**

 Burnished (BU)

**GLASS**

Iridescent IR

**MATERIAL**

Stainless Steel, Art Glass

**RATINGS**

cETLus  
 Wet Location



**ADDITIONAL**

OPERATING TEMPERATURE:  
 -20°C (-4°F), 40°C (104°F)

Always consult a qualified electrician before installing any lighting product.



WESTERN DISTRIBUTION CENTER (HEADQUARTER)  
 253 NORTH VINELAND AVE | CITY OF INDUSTRY, CA 91746

EASTERN DISTRIBUTION CENTER  
 101 GARDNER PARK | PEACHTREE CITY, GA 30269

P. 626.956.4200 | F. 626.956.4225 | maximlighting.com