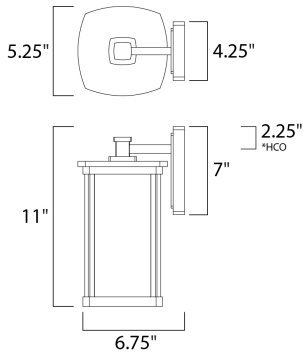




PRODUCT DESCRIPTION



*height from center of outlet to the top of the fixture


MEASUREMENTS

DIMENSION : 5.25" W x 11" H x 6.75" Ext
 BACK PLATE : 4.25" W x 7" H x 2.25" HCO
 HANGING WEIGHT : 3.6 lb

LAMPING

INPUT VOLTAGE : 120V
 LUMENS : 800 Rated
 BULB : 1 x 9W LED E26 Medium , 9W Total
 BULB INCLUDED : (Included)
 DIMMABLE : Triac CL
 CRI : 90+ CRI
 COLOR_TEMP : 3000K

FINISHES OPTION

 Bronze (BZ)

GLASS

Seedy and Wilshire CDWS

MATERIAL

Die Cast Aluminum, Glass

RATINGS

cETLus
 Wet Location



ADDITIONAL

INCANDESCENT WATTS:
 RATED LIFE 25000 Hours
 OPERATING TEMPERATURE:
 -20°C (-4°F), 40°C (104°F)

Always consult a qualified electrician before installing any lighting product.



WESTERN DISTRIBUTION CENTER (HEADQUARTER)
 253 NORTH VINELAND AVE | CITY OF INDUSTRY, CA 91746

EASTERN DISTRIBUTION CENTER
 101 GARDNER PARK | PEACHTREE CITY, GA 30269

P. 626.956.4200 | F. 626.956.4225 | maximlighting.com