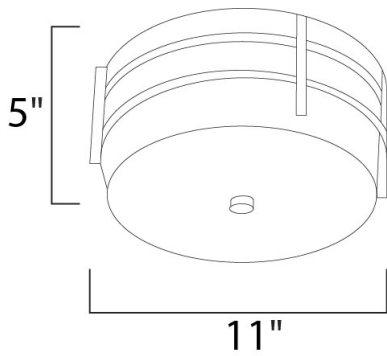




**PRODUCT DESCRIPTION**



**MEASUREMENTS**

DIMENSION : 11" L x 11" W x 5" H  
 HANGING WEIGHT : 4.07 lb

**LAMPING**

INPUT VOLTAGE : 120V  
 LUMENS : 910 Rated  
 BULB : 2 x 9W LED E26 Medium , 18W Total  
 BULB INCLUDED : (Included)  
 DIMMABLE : Triac CL  
 CRI : 90+ CRI  
 COLOR\_TEMP : 3000K

**FINISHES OPTION**

 Brushed Metal (BM)

**GLASS**

White WT

**MATERIAL**

Aluminum, Acrylic

**RATINGS**

cETLus  
 Damp Location



**ADDITIONAL**

INCANDESCENT WATTS:  
 RATED LIFE 25000 Hours  
 OPERATING TEMPERATURE:  
 -20°C (-4°F), 40°C (104°F)

Always consult a qualified electrician before installing any lighting product.



WESTERN DISTRIBUTION CENTER (HEADQUARTER)  
 253 NORTH VINELAND AVE | CITY OF INDUSTRY, CA 91746

EASTERN DISTRIBUTION CENTER  
 101 GARDNER PARK | PEACHTREE CITY, GA 30269

P. 626.956.4200 | F. 626.956.4225 | maxilighting.com