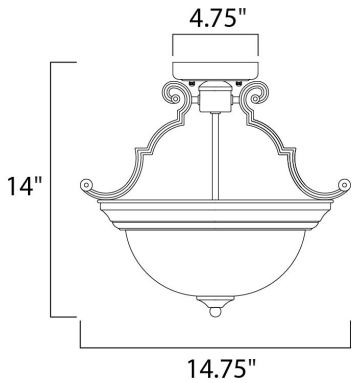




**PRODUCT DESCRIPTION**

Maxim Lighting's commitment to both the residential lighting and the home building industries will assure you a product line focused on your lighting needs. With Maxim Lighting you will find quality product that is well designed, well priced and readily a





**MEASUREMENTS**

- DIMENSION : 14.75" L x 14.75" W x 14" H
- MAX OAH : 14" OAH
- CANOPY : 4.75" W x 1" H x 4.75" L
- HANGING WEIGHT : 2.76 lb

**LAMPING**

- INPUT VOLTAGE : 120V
- BULB : 2 x 60W Incandescent E26 Medium , 120W Total
- BULB INCLUDED : (Not Included)
- DIMMABLE : Yes

**FINISHES OPTION**

-  Oil Rubbed Bronze (OI)
-  Satin Nickel (SN)

**GLASS**

Marble MR

**MATERIAL**

Glass, Steel

**RATINGS**

cETLus  
Damp Location



**ADDITIONAL**

OPERATING TEMPERATURE:  
-20°C (-4°F), 40°C (104°F)

Always consult a qualified electrician before installing any lighting product.



WESTERN DISTRIBUTION CENTER (HEADQUARTER)  
253 NORTH VINELAND AVE | CITY OF INDUSTRY, CA 91746

EASTERN DISTRIBUTION CENTER  
101 GARDNER PARK | PEACHTREE CITY, GA 30269

P. 626.956.4200 | F. 626.956.4225 | maximlighting.com