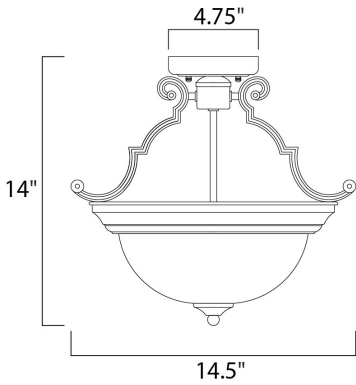




PRODUCT DESCRIPTION

Maxim Lighting's commitment to both the residential lighting and the home building industries will assure you a product line focused on your lighting needs. With Maxim Lighting you will find quality product that is well designed, well priced and readily available.



MEASUREMENTS

- DIMENSION : 14.5" W x 14" H
- MAX OAH : 14" OAH
- CANOPY : 4.75" W x 1" H x 4.75" L
- HANGING WEIGHT : 4.3 lb

LAMPING

- INPUT VOLTAGE : 120V
- BULB : 2 x 60W Incandescent E26 Medium , 120W Total
- BULB INCLUDED : (Not Included)
- DIMMABLE : Standard Dimmer

FINISHES OPTION

- Oil Rubbed Bronze (OI)

GLASS

Frosted FT

MATERIAL

Steel

RATINGS

Damp Location



ADDITIONAL

OPERATING TEMPERATURE:
-20°C (-4°F), 40°C (104°F)

Always consult a qualified electrician before installing any lighting product.



WESTERN DISTRIBUTION CENTER (HEADQUARTER)
253 NORTH VINELAND AVE | CITY OF INDUSTRY, CA 91746

EASTERN DISTRIBUTION CENTER
101 GARDNER PARK | PEACHTREE CITY, GA 30269

P. 626.956.4200 | F. 626.956.4225 | maximlighting.com