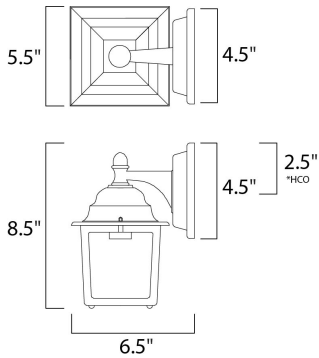


PRODUCT DESCRIPTION



*height from center of outlet to the top of the fixture

MEASUREMENTS

DIMENSION : 5.5" W x 8.5" H x 6.5" Ext
 BACK PLATE : 4.5" W x 4.5" H x 2.5" HCO
 HANGING WEIGHT : 1.87 lb

LAMPING

LUMENS : 455 Rated
 BULB : 1 x 7W LED LED , 7W Total
 BULB INCLUDED : (Included)
 DIMMABLE : Triac CL
 COLOR_TEMP : 3000K

FINISHES OPTION

 White

GLASS

Frosted FT

RATINGS

Wet Location



ADDITIONAL

OPERATING TEMPERATURE:
 -20°C (-4°F), 40°C (104°F)

Always consult a qualified electrician before installing any lighting product.



WESTERN DISTRIBUTION CENTER (HEADQUARTER)
 253 NORTH VINELAND AVE | CITY OF INDUSTRY, CA 91746

EASTERN DISTRIBUTION CENTER
 4200 SHIRLEY DR. | ATLANTA, GA 30336

P. 626.956.4200 | F. 626.956.4225 | maximlighting.com