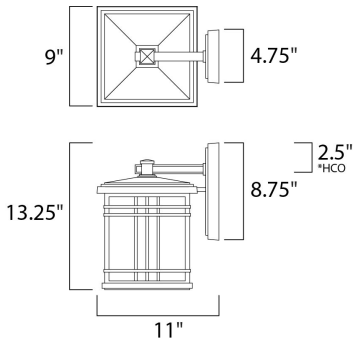




**PRODUCT DESCRIPTION**



\*height from center of outlet to the top of the fixture


**MEASUREMENTS**

DIMENSION : 9" W x 13.25" H x 11" Ext  
 BACK PLATE : 4.75" W x 8.75" H x 2.5" HCO  
 HANGING WEIGHT : 6.38 lb

**LAMPING**

INPUT VOLTAGE : V  
 LUMENS : 800 Rated  
 BULB : 1 x 9W LED LED , 9W Total  
 BULB INCLUDED : (Included)  
 DIMMABLE :

**FINISHES OPTION**

 Earth Tone (ET)

**GLASS**

Frosted Seedy FS

**RATINGS**

Wet Location



**ADDITIONAL**

OPERATING TEMPERATURE:  
 -20°C (-4°F), 40°C (104°F)

Always consult a qualified electrician before installing any lighting product.



WESTERN DISTRIBUTION CENTER (HEADQUARTER)  
 253 NORTH VINELAND AVE | CITY OF INDUSTRY, CA 91746

EASTERN DISTRIBUTION CENTER  
 101 GARDNER PARK | PEACHTREE CITY, GA 30269

P. 626.956.4200 | F. 626.956.4225 | maximlighting.com