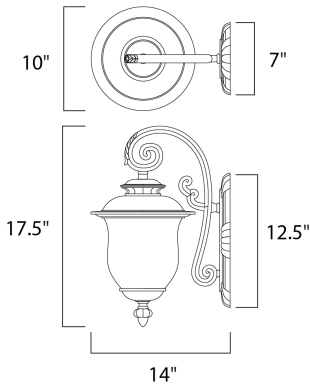




**PRODUCT DESCRIPTION**



**MEASUREMENTS**

DIMENSION : 10" W x 17.5" H x 14" Ext  
 BACK PLATE : 7" W x 13" H x 11.5" HCO  
 HANGING WEIGHT : 6.79 lb

**LAMPING**

INPUT VOLTAGE : 120V  
 LUMENS : 800 Rated  
 BULB : 1 x 9W LED LED , 9W Total  
 BULB INCLUDED : (Included)  
 DIMMABLE :  
 CRI : 80+ CRI  
 COLOR\_TEMP : 3000K

**FINISHES OPTION**

 Chocolate (CH)

**GLASS**

Frost Crackle FC

**RATINGS**

Wet Location



**ADDITIONAL**

RATED LIFE 25000 Hours  
 OPERATING TEMPERATURE:  
 -20°C (-4°F), 40°C (104°F)

Always consult a qualified electrician before installing any lighting product.



WESTERN DISTRIBUTION CENTER (HEADQUARTER)  
 253 NORTH VINELAND AVE | CITY OF INDUSTRY, CA 91746

EASTERN DISTRIBUTION CENTER  
 101 GARDNER PARK | PEACHTREE CITY, GA 30269

P. 626.956.4200 | F. 626.956.4225 | maximlighting.com