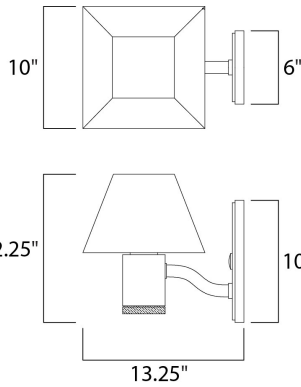




PRODUCT DESCRIPTION

This classic design features indirect light from within the shade as well as direct down light through the clear acrylic diffuser. Durable die cast aluminum construction is available in your choice of Architectural Bronze or Black.



MEASUREMENTS

DIMENSION : 10" W x 12.25" H x 13.25" Ext
 BACK PLATE : 6" W x 10" H x 7" HCO
 HANGING WEIGHT : 5.56 lb

LAMPING

INPUT VOLTAGE : 120V
 LUMENS : 1,190 Rated
 BULB : 2 x 8.5W LED PCB Integrated , 17W Total
 BULB INCLUDED : (Integrated)
 DIMMABLE : No
 CRI : 80+ CRI
 COLOR_TEMP : 3000K

FINISHES OPTION

 Black (BK)

GLASS

Clear CL

MATERIAL

Die Cast Aluminum

RATINGS

cETLus
 Wet Location



ADDITIONAL

OPERATING TEMPERATURE:
 -20°C (-4°F), 40°C (104°F)

Always consult a qualified electrician before installing any lighting product.



WESTERN DISTRIBUTION CENTER (HEADQUARTER)
 253 NORTH VINELAND AVE | CITY OF INDUSTRY, CA 91746

EASTERN DISTRIBUTION CENTER
 101 GARDNER PARK | PEACHTREE CITY, GA 30269

P. 626.956.4200 | F. 626.956.4225 | maximlighting.com