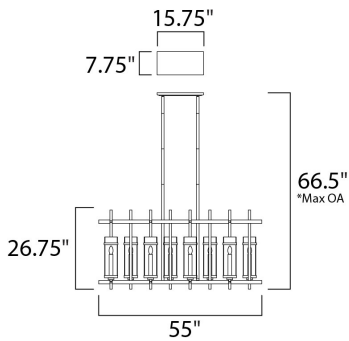


PRODUCT DESCRIPTION

It is hard to find large scale lighting for those large areas that is not custom made. This collection features a metal frame finished in Gold Bronze supporting tall Clear glass cylinders. The tall scale candles finished in a complimentary gold are topped with LED filament bulbs which are included.



*max overall height


MEASUREMENTS

DIMENSION : 55" L x 20" W x 26.75" H
 MAX OAH : 66.5" OAH
 CANOPY : 7.75" W x 1" H x 15.75" L
 HANGING WEIGHT : 50.82 lb

LAMPING

INPUT VOLTAGE : 120V
 LUMENS : 2,240 Rated
 BULB : 8 x 4W LED E12 Candelabra , 32W Total
 BULB INCLUDED : (Included)
 DIMMABLE : Triac CL
 CRI : 90+ CRI
 COLOR_TEMP : 2700K

FINISHES OPTION

 Gold Bronze (GB)

GLASS

Clear CL

MATERIAL

Steel

RATINGS

Dry Location



ADDITIONAL

ADJUSTABLE
 OPERATING TEMPERATURE:
 -20°C (-4°F), 40°C (104°F)

Always consult a qualified electrician before installing any lighting product.



WESTERN DISTRIBUTION CENTER (HEADQUARTER)
 253 NORTH VINELAND AVE | CITY OF INDUSTRY, CA 91746

EASTERN DISTRIBUTION CENTER
 101 GARDNER PARK | PEACHTREE CITY, GA 30269

P. 626.956.4200 | F. 626.956.4225 | maximlighting.com