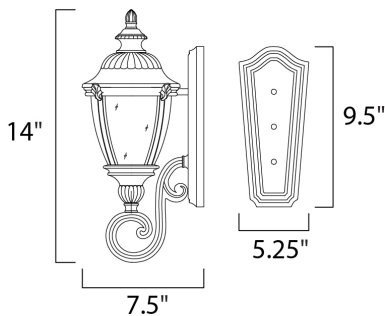




PRODUCT DESCRIPTION

Maxim Lighting's Morrow Bay VX Collection is made with Vivex, a material twice the strength of resin, is non-corrosive, UV resistant and backed with a 5-Year Limited Warranty. Morrow Bay VX features our Earth Tone finish and Water Glass.



MEASUREMENTS

- DIMENSION : 8.5" W x 20" H x 9.5" Ext
- BACK PLATE : 5.75" W x 12.75" H x 9" HCO
- HANGING WEIGHT : 6.17 lb

LAMPING

- INPUT VOLTAGE : 120V
- BULB : 1 x 60W Incandescent E26 Medium , 60W Total
- BULB INCLUDED : (Not Included)
- DIMMABLE : Yes

FINISHES OPTION

- Earth Tone (ET)

GLASS

Water Glass WG

MATERIAL

Vivex Resin Composite

RATINGS

cETLus
Wet Location



ADDITIONAL

OPERATING TEMPERATURE:
-20°C (-4°F), 40°C (104°F)

Always consult a qualified electrician before installing any lighting product.



WESTERN DISTRIBUTION CENTER (HEADQUARTER)
253 NORTH VINELAND AVE | CITY OF INDUSTRY, CA 91746

EASTERN DISTRIBUTION CENTER
101 GARDNER PARK | PEACHTREE CITY, GA 30269

P. 626.956.4200 | F. 626.956.4225 | maximlighting.com