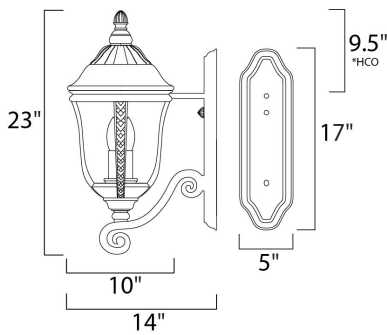




**PRODUCT DESCRIPTION**

Maxim Lighting's Whittier VX Collection is made with Vivex, a material twice the strength of resin, is non-corrosive, UV resistant and backed with a 5-Year Limited Warranty. Whittier VX features our Earth Tone finish and Water Glass.



\*height from center of outlet to the top of the fixture

**MEASUREMENTS**

- DIMENSION : 10" W x 23" H x 14" Ext
- BACK PLATE : 5" W x 17" H x 9.5" HCO
- HANGING WEIGHT : 6.17 lb

**LAMPING**

- INPUT VOLTAGE : 120V
- BULB : 3 x 40W Incandescent CA , 120W Total
- DIMMABLE : Standard Dimmer
- COLOR\_TEMP : 2700K

**FINISHES OPTION**

- Earth Tone

**GLASS**

Water Glass WG

**MATERIAL**

Vivex

**RATINGS**

Wet Location



**ADDITIONAL**

RATED LIFE 1500 Hours

Always consult a qualified electrician before installing any lighting product.



**WESTERN DISTRIBUTION CENTER (HEADQUARTER)**  
253 NORTH VINELAND AVE | CITY OF INDUSTRY, CA 91746

**EASTERN DISTRIBUTION CENTER**  
4200 SHIRLEY DR. | ATLANTA, GA 30336

P. 626.956.4200 | F. 626.956.4225 | maximlighting.com