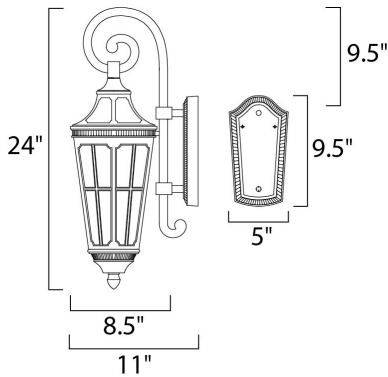




PRODUCT DESCRIPTION

Maxim Lighting's Beacon Hill VX Collection is made with Vivex, a material twice the strength of resin, is non-corrosive, UV resistant and backed with a 5-Year Limited Warranty. Beacon Hill VX features our Sienna finish and Seedy glass.



MEASUREMENTS

- DIMENSION : 8.5" W x 24" H x 10.5" Ext
- BACK PLATE : 5" W x 9.5" H x 9.5" HCO
- HANGING WEIGHT : 5.73 lb

LAMPING

- INPUT VOLTAGE : 120V
- BULB : 3 x 40W Incandescent E12 Candelabra , 120W Total
- BULB INCLUDED : (Not Included)
- DIMMABLE : Yes

FINISHES OPTION

- Sienna (SE)

GLASS

Seedy CD

MATERIAL

Vivex Resin Composite

RATINGS

cETLus
Wet Location



ADDITIONAL

OPERATING TEMPERATURE:
-20°C (-4°F), 40°C (104°F)

Always consult a qualified electrician before installing any lighting product.



WESTERN DISTRIBUTION CENTER (HEADQUARTER)
253 NORTH VINELAND AVE | CITY OF INDUSTRY, CA 91746

EASTERN DISTRIBUTION CENTER
101 GARDNER PARK | PEACHTREE CITY, GA 30269

P. 626.956.4200 | F. 626.956.4225 | maximlighting.com