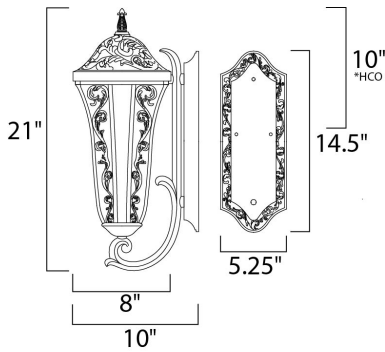




PRODUCT DESCRIPTION

Maxim Lighting's Montecito VX Collection is made with Vivex, a material twice the strength of resin, is non-corrosive, UV resistant and backed with a 5-Year Limited Warranty. Montecito VX features our Tortoise finish and Water Glass.



*height from center of outlet to the top of the fixture

MEASUREMENTS

- DIMENSION : 8" W x 21" H x 10" Ext
- BACK PLATE : 5.25" W x 14.5" H x 10" HCO
- HANGING WEIGHT : 6.83 lb

LAMPING

- INPUT VOLTAGE : 120V
- BULB : 2 x 40W Incandescent CA , 120W Total
- DIMMABLE : Standard Dimmer
- COLOR_TEMP : 2700K

FINISHES OPTION



GLASS

Water Glass WG

MATERIAL

Vivex

RATINGS

Wet Location



ADDITIONAL

RATED LIFE 1500 Hours

Always consult a qualified electrician before installing any lighting product.



WESTERN DISTRIBUTION CENTER (HEADQUARTER)
253 NORTH VINELAND AVE | CITY OF INDUSTRY, CA 91746

EASTERN DISTRIBUTION CENTER
4200 SHIRLEY DR. | ATLANTA, GA 30336

P. 626.956.4200 | F. 626.956.4225 | maximlighting.com