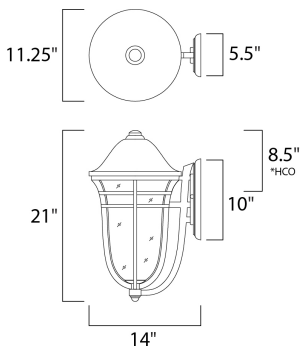




**PRODUCT DESCRIPTION**

Maxim Lighting's Westport VX Collection is made with Vivex, a material twice the strength of resin, is non-corrosive, UV resistant and backed with a 5-Year Limited Warranty. Westport VX features our Artesian Bronze finish and Mocha Cloud glass.



\*height from center of outlet to the top of the fixture

**MEASUREMENTS**

DIMENSION : 11.25" W x 21" H x 14" Ext  
 BACK PLATE : 5.5" W x 10" H x 8.5" HCO  
 HANGING WEIGHT : 8.16 lb

**LAMPING**

INPUT VOLTAGE : 120V  
 BULB : 1 x 60W Incandescent E26 Medium , 60W Total  
 BULB INCLUDED : (Not Included)  
 DIMMABLE : Yes

**FINISHES OPTION**

 Artesian Bronze (AT)

**GLASS**

Mocha Cloud MC

**MATERIAL**

Vivex Resin Composite

**RATINGS**

cETLus  
 Wet Location



**ADDITIONAL**

OPERATING TEMPERATURE:  
 -20°C (-4°F), 40°C (104°F)

Always consult a qualified electrician before installing any lighting product.



WESTERN DISTRIBUTION CENTER (HEADQUARTER)  
 253 NORTH VINELAND AVE | CITY OF INDUSTRY, CA 91746

EASTERN DISTRIBUTION CENTER  
 101 GARDNER PARK | PEACHTREE CITY, GA 30269

P. 626.956.4200 | F. 626.956.4225 | maximlighting.com