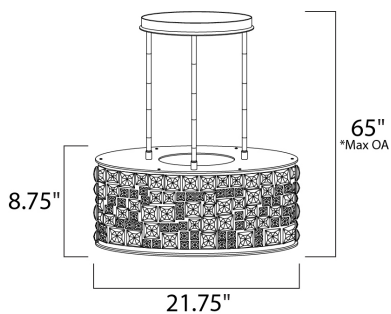




**PRODUCT DESCRIPTION**

A stately collection of laser cut steel finished in Luster Bronze and adorned with beveled FlambÃ© Crystals In Cognac, Mirror, and Clear arranged in an abstract pattern. These crystals are also found on the bottom of each fixture, creating a spectacular finish to this high-end collection.



\*max overall height

**MEASUREMENTS**

DIMENSION : 21.75" L x 21.75" W x 8.75" H  
 MAX OAH : 65" OAH  
 HANGING WEIGHT : 50.6 lb

**LAMPING**

INPUT VOLTAGE : 120V  
 BULB : 8 x 40W Xenon G9 , 320W Total  
 BULB INCLUDED : (Included)  
 DIMMABLE : Yes

**FINISHES OPTION**

 Luster Bronze

**GLASS**

Jewel Crystal JC

**MATERIAL**

Steel, Crystal

**RATINGS**

Dry Location



**ADDITIONAL**

RATED LIFE 2000 Hours  
 OPERATING TEMPERATURE:  
 -20°C (-4°F), 40°C (104°F)

Always consult a qualified electrician before installing any lighting product.



**WESTERN DISTRIBUTION CENTER (HEADQUARTER)**  
 253 NORTH VINELAND AVE | CITY OF INDUSTRY, CA 91746  
**EASTERN DISTRIBUTION CENTER**  
 4200 SHIRLEY DR. | ATLANTA, GA 30336  
 P. 626.956.4200 | F. 626.956.4225 | maximlighting.com