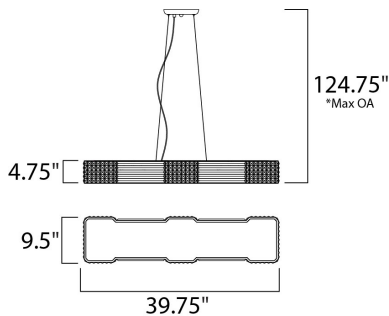




**PRODUCT DESCRIPTION**

A Contrasting array of Beveled Crystal create an elegant contemporary style that integrates seamlessly into today's interior design. The Polished Chrome frame provides a touch of shimmer, without competing with the brilliance of the crystal.



\*max overall height

**MEASUREMENTS**

DIMENSION : 39.75" L x 9.5" W x 4.75" H  
 MAX OAH : 124.75" OAH  
 HANGING WEIGHT : 19.14 lb

**LAMPING**

BULB : 8 x 40W Xenon G9 , 320W Total  
 BULB INCLUDED : (Included)  
 DIMMABLE :

**FINISHES OPTION**



**GLASS**

Beveled Crystal BC

**RATINGS**

Dry Location



**ADDITIONAL**

OPERATING TEMPERATURE:  
 -20°C (-4°F), 40°C (104°F)

Always consult a qualified electrician before installing any lighting product.



**WESTERN DISTRIBUTION CENTER (HEADQUARTER)**  
 253 NORTH VINELAND AVE | CITY OF INDUSTRY, CA 91746

**EASTERN DISTRIBUTION CENTER**  
 4200 SHIRLEY DR. | ATLANTA, GA 30336

P. 626.956.4200 | F. 626.956.4225 | maximlighting.com