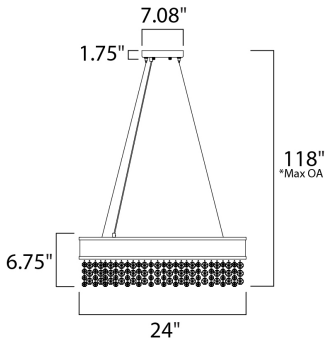




**PRODUCT DESCRIPTION**

A sea of crystal strands suspend from within drums of steel which are finished in your choice of Bronze with Scotch crystal or Polished Chrome with Mirror Smoke crystal. Hidden inside the drum is a powerful dimmable LED source which has the crystals dancing in the night without any glare in your eyes.



\*max overall height

**MEASUREMENTS**

DIMENSION : 24" L x 24" W x 6.75" H  
 MAX OAH : 118" OAH  
 CANOPY : 7" W x 1.75" H x 7" L  
 HANGING WEIGHT : 33 lb

**LAMPING**

INPUT VOLTAGE : 120V  
 LUMENS : 3,140 Rated (2,400 Del.)  
 BULB : 16 x 3W LED PCB Integrated , 48W Total  
 BULB INCLUDED : (Integrated)  
 DIMMABLE : Triac CL  
 CRI : 80+ CRI  
 COLOR\_TEMP : 3000K

**FINISHES OPTION**

- Bronze (BZ)
- Polished Chrome (PC)

**GLASS**

Mirror Smoke MSK

**MATERIAL**

Stainless Steel, Crystal

**RATINGS**

cETLus  
 Dry Location



**ADDITIONAL**

ADJUSTABLE  
 SLOPE: 30  
 RATED LIFE 35000 Hours  
 OPERATING TEMPERATURE:  
 -20°C (-4°F), 40°C (104°F)

Always consult a qualified electrician before installing any lighting product.



WESTERN DISTRIBUTION CENTER (HEADQUARTER)  
 253 NORTH VINELAND AVE | CITY OF INDUSTRY, CA 91746

EASTERN DISTRIBUTION CENTER  
 101 GARDNER PARK | PEACHTREE CITY, GA 30269

P. 626.956.4200 | F. 626.956.4225 | maximlighting.com