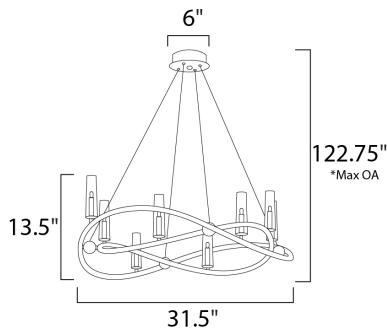




PRODUCT DESCRIPTION

Round tubing of Golden Silver gracefully weaves to form a unique and interesting design. Tapered Clear crystal fonts are strategically placed to give balance and even illumination.



*max overall height

MEASUREMENTS

- DIMENSION : 36.75" L x 36.75" W x 14.25" H
- MAX OAH : 122.5" OAH
- CANOPY : 6" W x 1" H x 6" L
- HANGING WEIGHT : 17.71 lb

LAMPING

- INPUT VOLTAGE : V
- LUMENS : 3,920 Rated
- BULB : 8 x 40W Xenon G9 , 320W Total
- BULB INCLUDED : (Included)
- DIMMABLE : Yes

FINISHES OPTION

-  Golden Silver (GS)

GLASS

- Clear CL

MATERIAL

- Metal

RATINGS

- Dry Location



ADDITIONAL

- ADJUSTABLE OPERATING TEMPERATURE: -20°C (-4°F), 40°C (104°F)

Always consult a qualified electrician before installing any lighting product.



WESTERN DISTRIBUTION CENTER (HEADQUARTER)
253 NORTH VINELAND AVE | CITY OF INDUSTRY, CA 91746

EASTERN DISTRIBUTION CENTER
101 GARDNER PARK | PEACHTREE CITY, GA 30269

P. 626.956.4200 | F. 626.956.4225 | maximlighting.com