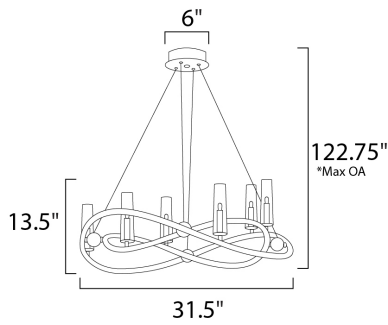




**PRODUCT DESCRIPTION**

Round tubing of Golden Silver gracefully weave to form a unique and interesting design. Tapered Clear crystal fonts are strategically placed to give balance and even illumination.



\*max overall height

**MEASUREMENTS**

- DIMENSION : 31.5" L x 31.5" W x 13.5" H
- MAX OAH : 122.75" OAH
- CANOPY : 6" W x 1" H x 6" L
- HANGING WEIGHT : 12.98 lb

**LAMPING**

- INPUT VOLTAGE : 120V
- LUMENS : 2,940 Rated
- BULB : 6 x 40W Xenon G9 , 240W Total
- BULB INCLUDED : (Included)
- DIMMABLE : Yes

**FINISHES OPTION**

- Golden Silver (GS)

**GLASS**

- Clear CL

**MATERIAL**

- Metal

**RATINGS**

- cULus
- Dry Location



**ADDITIONAL**

- ADJUSTABLE
- RATED LIFE 2000 Hours
- OPERATING TEMPERATURE: -20°C (-4°F), 40°C (104°F)

Always consult a qualified electrician before installing any lighting product.



WESTERN DISTRIBUTION CENTER (HEADQUARTER)  
253 NORTH VINELAND AVE | CITY OF INDUSTRY, CA 91746

EASTERN DISTRIBUTION CENTER  
101 GARDNER PARK | PEACHTREE CITY, GA 30269

P. 626.956.4200 | F. 626.956.4225 | maximlighting.com