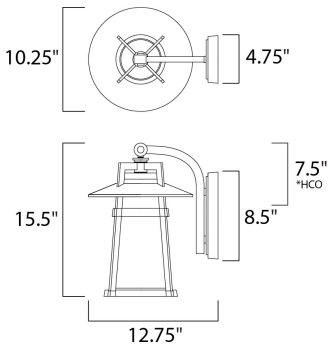




**PRODUCT DESCRIPTION**

Classic, contemporary style of Die Cast aluminum finished in Adobe features an integral hood and Satin White conical shade, which help cast light in a downward direction.



\*height from center of outlet to the top of the fixture


**MEASUREMENTS**

DIMENSION : 10.25" W x 15.5" H x 12.75" Ext  
 BACK PLATE : 4.75" W x 8.5" H x 7.5" HCO  
 HANGING WEIGHT : 6.2 lb

**LAMPING**

INPUT VOLTAGE : 120V  
 BULB : 1 x 60W Incandescent E26 Medium , 60W Total  
 BULB INCLUDED : (Not Included)  
 DIMMABLE : Yes

**FINISHES OPTION**

 Adobe (AE)

**GLASS**

Satin White SW

**MATERIAL**

Die Cast Aluminum, Glass

**RATINGS**

cETLus  
 Wet Location



**ADDITIONAL**

OPERATING TEMPERATURE:  
 -20°C (-4°F), 40°C (104°F)

Always consult a qualified electrician before installing any lighting product.



WESTERN DISTRIBUTION CENTER (HEADQUARTER)  
 253 NORTH VINELAND AVE | CITY OF INDUSTRY, CA 91746

EASTERN DISTRIBUTION CENTER  
 101 GARDNER PARK | PEACHTREE CITY, GA 30269

P. 626.956.4200 | F. 626.956.4225 | maximlighting.com