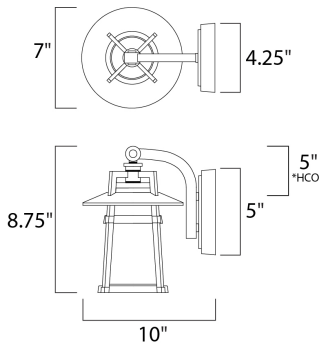




PRODUCT DESCRIPTION

Classic, contemporary style of Die Cast aluminum finished in Adobe features an integral hood and Satin White conical shade, which help cast light in a downward direction.



MEASUREMENTS

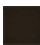
DIMENSION : 7" W x 10" H x 8.75" Ext
 BACK PLATE : 4.25" W x 5" H x 5" HCO
 HANGING WEIGHT : 3.1 lb

LAMPING

INPUT VOLTAGE : 120V
 BULB : 1 x 60W Incandescent E26 Medium , 60W Total
 BULB INCLUDED : (Not Included)
 DIMMABLE : Yes

*height from center of outlet to the top of the fixture

FINISHES OPTION

 Adobe (AE)

GLASS

Satin White SW

MATERIAL

Die Cast Aluminum, Glass

RATINGS

cETLus
 Wet Location



ADDITIONAL

OPERATING TEMPERATURE:
 -20°C (-4°F), 40°C (104°F)

Always consult a qualified electrician before installing any lighting product.



WESTERN DISTRIBUTION CENTER (HEADQUARTER)
 253 NORTH VINELAND AVE | CITY OF INDUSTRY, CA 91746

EASTERN DISTRIBUTION CENTER
 101 GARDNER PARK | PEACHTREE CITY, GA 30269

P. 626.956.4200 | F. 626.956.4225 | maximlighting.com