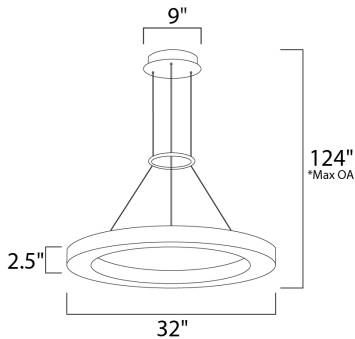




PRODUCT DESCRIPTION

Crystalline diffusers sparkle in the night illuminated by high powered LED. The Bronze metal frames soften the look and contrasts well with the brilliance of the diffuser. The collection features two size of round pendants including round and square ceiling mount styles.



*max overall height


MEASUREMENTS

DIMENSION : 32" L x 32" W x 2.5" H
 MAX OAH : 124" OAH
 CANOPY : 9" W x 1.15" H x 9" L
 HANGING WEIGHT : 17.64 lb

LAMPING

INPUT VOLTAGE : 120V
 LUMENS : 4,032 Rated
 BULB : 1 x 57.6W LED PCB Integrated , 58W Total
 BULB INCLUDED : (Integrated)
 DIMMABLE : Triac CL
 CRI : 80+ CRI
 COLOR_TEMP : 3000K

FINISHES OPTION

 Bronze (BZ)

GLASS

Crystal CRY

MATERIAL

Aluminum, Steel, Acrylic, Glass

RATINGS

cETLus
 Dry Location



ADDITIONAL

SLOPE: 120
 OPERATING TEMPERATURE:
 -20°C (-4°F), 40°C (104°F)

Always consult a qualified electrician before installing any lighting product.



WESTERN DISTRIBUTION CENTER (HEADQUARTER)
 253 NORTH VINELAND AVE | CITY OF INDUSTRY, CA 91746

EASTERN DISTRIBUTION CENTER
 101 GARDNER PARK | PEACHTREE CITY, GA 30269

P. 626.956.4200 | F. 626.956.4225 | maximlighting.com