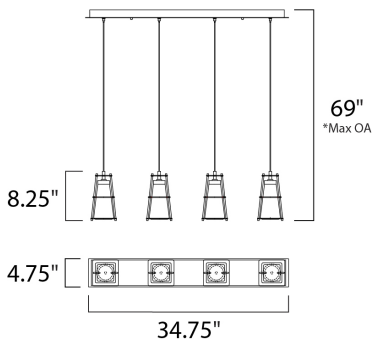




**PRODUCT DESCRIPTION**

Heavy weight hand blown Clear glass shades are cradled on a geometric metal frame of Polished Chrome. The glass comes to life when illuminated by dimmable LEDs which are cleverly concealed in the frame.



\*max overall height of fixture

**MEASUREMENTS**

DIMENSION : 34.75" L x 4.75" W x 8.25" H  
 MAX OAH : 69" OAH  
 HANGING WEIGHT : 18.34 lb

**LAMPING**

INPUT VOLTAGE : 120V  
 LUMENS : 784 Rated  
 BULB : 4 x 2.8W LED LED , 11W Total  
 BULB INCLUDED : (Included)  
 DIMMABLE : Triac CL  
 CRI : 80 CRI  
 COLOR\_TEMP : 3000K

**FINISHES OPTION**

 Polished Chrome

**GLASS**

Clear CL

**MATERIAL**

Metal

**RATINGS**

Dry Location



**ADDITIONAL**

RATED LIFE 40000 Hours  
 OPERATING TEMPERATURE:  
 -20°C (-4°F), 40°C (104°F)

Always consult a qualified electrician before installing any lighting product.



**WESTERN DISTRIBUTION CENTER (HEADQUARTER)**  
 253 NORTH VINELAND AVE | CITY OF INDUSTRY, CA 91746  
**EASTERN DISTRIBUTION CENTER**  
 4200 SHIRLEY DR. | ATLANTA, GA 30336  
 P. 626.956.4200 | F. 626.956.4225 | maximlighting.com