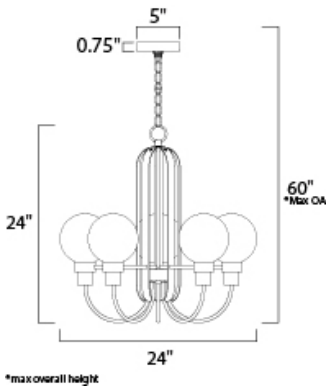




PRODUCT DESCRIPTION

This classic Mid Century Modern design features a frame finished in a combination of Bronze and Satin Brass. The arms terminate at rings that support Clear heavy blown glass shades which were prevalent in this era.



MEASUREMENTS

DIMENSION : 24" L x 24" W x 24" H
 MAX OAH : 60" OAH
 CANOPY : 5" W x 0.75" H
 HANGING WEIGHT : 11.07 lb

LAMPING

INPUT VOLTAGE : 120V
 BULB : 5 x 60W Incandescent E12 Candelabra , 300W Total
 BULB INCLUDED : (Not Included)
 DIMMABLE : Yes

FINISHES OPTION

 Bronze / Satin Brass (BZSBR)

GLASS

Clear CL

MATERIAL

Steel, Glass

RATINGS

cULus
 Dry Location



ADDITIONAL

ADJUSTABLE
 SLOPE: 120
 OPERATING TEMPERATURE:
 -20°C (-4°F), 40°C (104°F)

Always consult a qualified electrician before installing any lighting product.



WESTERN DISTRIBUTION CENTER (HEADQUARTER)
 253 NORTH VINELAND AVE | CITY OF INDUSTRY, CA 91746

EASTERN DISTRIBUTION CENTER
 101 GARDNER PARK | PEACHTREE CITY, GA 30269

P. 626.956.4200 | F. 626.956.4225 | maximlighting.com