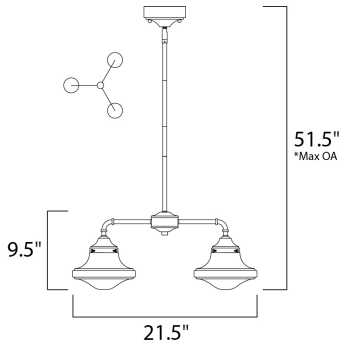




PRODUCT DESCRIPTION

This classic look was updated with modern day styling and technology. Tubular metal frames finished in Satin Nickel support school house glass shades in Satin White. Powered by dimmable LED modules this collection is the perfect marriage of ageless styling and space age technology.



*max overall height

MEASUREMENTS

DIMENSION : 21.5" L x 21.5" W x 9.5" H
 MAX OAH : 51.5" OAH
 CANOPY : 4.96" W x 2.44" H x 4.96" L
 HANGING WEIGHT : 6.28 lb

LAMPING

INPUT VOLTAGE : 120V
 LUMENS : 1,600 Rated
 BULB : 3 x 23W LED PCB Integrated , 23W Total
 BULB INCLUDED : (Integrated)
 DIMMABLE : Triac CL
 CRI : 90+ CRI
 COLOR_TEMP : 3000K

FINISHES OPTION

 Satin Nickel (SN)

GLASS

Satin White SW

MATERIAL

Steel, Opal Glass

RATINGS

cETLus
 Dry Location



ADDITIONAL

SLOPE: 120
 OPERATING TEMPERATURE:
 -20°C (-4°F), 40°C (104°F)

Always consult a qualified electrician before installing any lighting product.



WESTERN DISTRIBUTION CENTER (HEADQUARTER)
 253 NORTH VINELAND AVE | CITY OF INDUSTRY, CA 91746

EASTERN DISTRIBUTION CENTER
 101 GARDNER PARK | PEACHTREE CITY, GA 30269

P. 626.956.4200 | F. 626.956.4225 | maximlighting.com