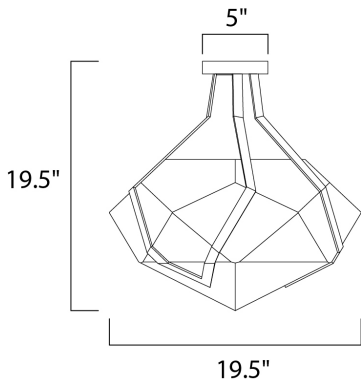




PRODUCT DESCRIPTION

Hand formed faceted spheres of faux Alabaster are cradled by metal frames finished in Bronze Gilt and Gold Leaf interior. These contemporary forms are illuminated by high powered LEDs to enhance the beauty of the marble and provide ample light.



MEASUREMENTS

DIMENSION : 19.5" L x 19.5" W x 19.5" H
 CANOPY : 5" W x 1" H x 5" L
 HANGING WEIGHT : 21.45 lb

LAMPING

INPUT VOLTAGE : 120V
 LUMENS : 2,240 Rated
 BULB : 1 x LED AC Integrated , 32W Total
 BULB INCLUDED : (Integrated)
 DIMMABLE : Triac CL
 CRI : 90+ CRI
 COLOR_TEMP : 3000K

FINISHES OPTION

Bronze Gilt / Gold (BZGTGLD)

MATERIAL

Metal

RATINGS

cETLus
 Dry Location



ADDITIONAL

OPERATING TEMPERATURE:
 -20°C (-4°F), 40°C (104°F)

Always consult a qualified electrician before installing any lighting product.



WESTERN DISTRIBUTION CENTER (HEADQUARTER)
 253 NORTH VINELAND AVE | CITY OF INDUSTRY, CA 91746

EASTERN DISTRIBUTION CENTER
 101 GARDNER PARK | PEACHTREE CITY, GA 30269

P. 626.956.4200 | F. 626.956.4225 | maximlighting.com