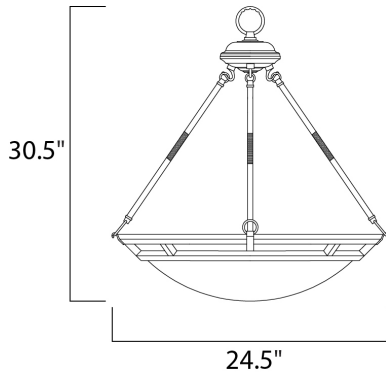




PRODUCT DESCRIPTION

Clean lines are simply stated in this collection. Offered in Marble glass with your choice of Bronze or Pewter finishes.




MEASUREMENTS

DIMENSION : 24.5" L x 24.5" W x 29.5" H
 HANGING WEIGHT : 11.84 lb

LAMPING

INPUT VOLTAGE : 120V
 BULB : 5 x 60W Incandescent E26 Medium , 300W Total
 BULB INCLUDED : (Not Included)
 DIMMABLE : Yes

FINISHES OPTION

 Bronze (BZ)

GLASS

Marble MR

MATERIAL

Steel

RATINGS

cULus
 Dry Location



ADDITIONAL

ADJUSTABLE
 OPERATING TEMPERATURE:
 -20°C (-4°F), 40°C (104°F)

Always consult a qualified electrician before installing any lighting product.



WESTERN DISTRIBUTION CENTER (HEADQUARTER)
 253 NORTH VINELAND AVE | CITY OF INDUSTRY, CA 91746

EASTERN DISTRIBUTION CENTER
 101 GARDNER PARK | PEACHTREE CITY, GA 30269

P. 626.956.4200 | F. 626.956.4225 | maximlighting.com