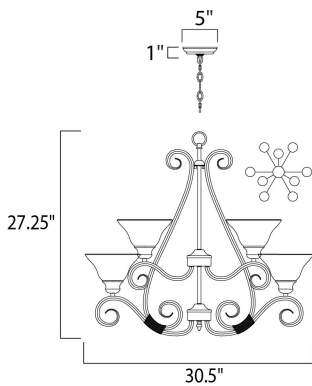




PRODUCT DESCRIPTION

Simple, elegant designs offered in a variety of our most popular finishes. Choose from Acorn, Country Stone, Pewter and Kentucky Bronze. Glass options are Marble and Wilshire.





MEASUREMENTS

DIMENSION : 30.5" W x 27.25" H
 HANGING WEIGHT : 22.71 lb

LAMPING

INPUT VOLTAGE : 120V
 BULB : 9 x 60W Incandescent E26 Medium , 540W Total
 BULB INCLUDED : (Not Included)
 DIMMABLE : Yes

FINISHES OPTION

-  Kentucky Bronze
-  Pewter

GLASS

Marble MR

MATERIAL

Steel

RATINGS

cULus
 Dry Location



ADDITIONAL

OPERATING TEMPERATURE:
 -20°C (-4°F), 40°C (104°F)

Always consult a qualified electrician before installing any lighting product.



WESTERN DISTRIBUTION CENTER (HEADQUARTER)
 253 NORTH VINELAND AVE | CITY OF INDUSTRY, CA 91746
EASTERN DISTRIBUTION CENTER
 4200 SHIRLEY DR. | ATLANTA, GA 30336
 P. 626.956.4200 | F. 626.956.4225 | maximlighting.com