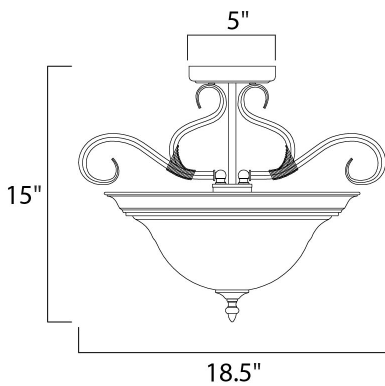




PRODUCT DESCRIPTION

Simple, elegant designs offered in a variety of our most popular finishes. Choose from Acorn, Country Stone, Pewter and Kentucky Bronze. Glass options are Marble and Wilshire.



MEASUREMENTS

DIMENSION : 18.5" W x 15" H

HANGING WEIGHT : 7.05 lb

LAMPING




INPUT VOLTAGE : 120V

BULB : 3 x 60W Incandescent E26 Medium , 180W Total

BULB INCLUDED : (Not Included)

DIMMABLE : Yes

FINISHES OPTION

-  Acorn
-  Kentucky Bronze
-  Pewter

GLASS

Marble MR

MATERIAL

Glass, Steel

RATINGS

cULus
Dry Location



ADDITIONAL

OPERATING TEMPERATURE:
-20°C (-4°F), 40°C (104°F)

Always consult a qualified electrician before installing any lighting product.



WESTERN DISTRIBUTION CENTER (HEADQUARTER)
253 NORTH VINELAND AVE | CITY OF INDUSTRY, CA 91746

EASTERN DISTRIBUTION CENTER
4200 SHIRLEY DR. | ATLANTA, GA 30336

P. 626.956.4200 | F. 626.956.4225 | maximlighting.com