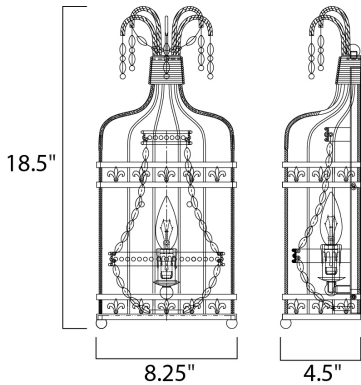




PRODUCT DESCRIPTION

Elegant chandeliers draped in strands of lustrous pearl like beads are housed in French provincial cages that are finished in Antique Terra for a realistic antique appearance. Also available are some of the chandeliers without the cage. The unique pieces are sure to be the focal point of the room.



MEASUREMENTS

DIMENSION : 8.25" W x 18.5" H x 4.5" Ext
 HANGING WEIGHT : 2.88 lb

LAMPING

INPUT VOLTAGE : 120V
 BULB : 1 x 60W Incandescent E12 Candelabra , 60W Total
 BULB INCLUDED : (Not Included)
 DIMMABLE : Yes

FINISHES OPTION

 Antique Terra (ATR)

MATERIAL

Steel, Imitation Pearl

RATINGS

cETLus
 Dry Location



ADDITIONAL

INSTALL UP/DOWN: Up
 OPERATING TEMPERATURE: -20°C (-4°F), 40°C (104°F)

Always consult a qualified electrician before installing any lighting product.



WESTERN DISTRIBUTION CENTER (HEADQUARTER)
 253 NORTH VINELAND AVE | CITY OF INDUSTRY, CA 91746

EASTERN DISTRIBUTION CENTER
 101 GARDNER PARK | PEACHTREE CITY, GA 30269

P. 626.956.4200 | F. 626.956.4225 | maximlighting.com