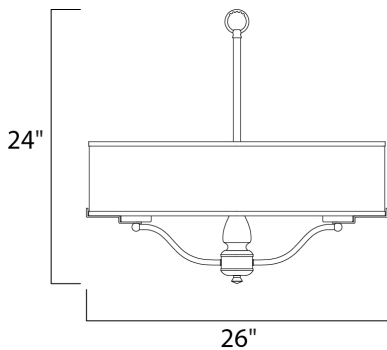




**PRODUCT DESCRIPTION**

Drum shades constructed from two layers of sheer Organza fabric laminated to clear inner liner, allows light to shine out as well as down. White glass cylinder shades diffuse light and conceal the light source. Available in your choice of 2 finish combinations, Silver Sheer shade on Satin Nickel and Tan Sheer shade on Oil Rubbed Bronze.



**MEASUREMENTS**

DIMENSION : 26" L x 26" W x 24" H  
 MAX OAH : 24" OAH  
 CANOPY : 4.75" W x 1" H x 4.75" L  
 HANGING WEIGHT : 7.23 lb

**LAMPING**

INPUT VOLTAGE : 120V  
 BULB : 5 x 60W Incandescent E26 Medium , 300W Total  
 BULB INCLUDED : (Not Included)  
 DIMMABLE : Yes

**FINISHES OPTION**

-  Oil Rubbed Bronze (OI)
-  Satin Nickel (SN)

**MATERIAL**

Steel, Glass, Fabric

**RATINGS**

cULus  
 Dry Location



**ADDITIONAL**

OPERATING TEMPERATURE:  
 -20°C (-4°F), 40°C (104°F)

Always consult a qualified electrician before installing any lighting product.



WESTERN DISTRIBUTION CENTER (HEADQUARTER)  
 253 NORTH VINELAND AVE | CITY OF INDUSTRY, CA 91746

EASTERN DISTRIBUTION CENTER  
 101 GARDNER PARK | PEACHTREE CITY, GA 30269

P. 626.956.4200 | F. 626.956.4225 | maximlighting.com