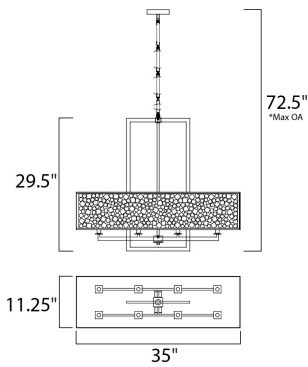




PRODUCT DESCRIPTION

A pattern of squares finished in Satin Nickel create a contemporary, geometric look which will enhance any space. The interior of each shade is lined with Frosted glass for a soft diffused light.



*max overall height

MEASUREMENTS

DIMENSION : 35" L x 11.25" W x 29.5" H
 MAX OAH : 72.5" OAH
 HANGING WEIGHT : 35.2 lb

LAMPING

BULB : 8 x 40W Xenon G9 , 320W Total
 BULB INCLUDED : (Included)
 DIMMABLE :

FINISHES OPTION

 Satin Nickel

GLASS

Frosted FT

RATINGS

Dry Location



ADDITIONAL

SLOPE: 120
 OPERATING TEMPERATURE:
 -20°C (-4°F), 40°C (104°F)

Always consult a qualified electrician before installing any lighting product.



WESTERN DISTRIBUTION CENTER (HEADQUARTER)
 253 NORTH VINELAND AVE | CITY OF INDUSTRY, CA 91746
EASTERN DISTRIBUTION CENTER
 4200 SHIRLEY DR. | ATLANTA, GA 30336
 P. 626.956.4200 | F. 626.956.4225 | maximlighting.com