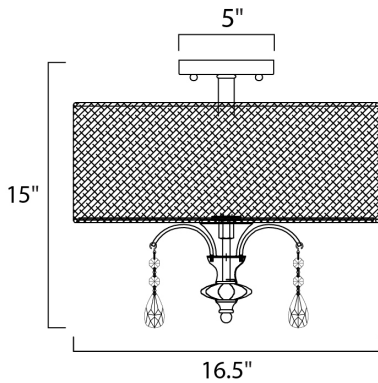




PRODUCT DESCRIPTION

Tradition with a twist, the Montgomery collection's Polished Nickel finish gleams with its curves and delicate arcs. Clear Glass and carefully cut crystals add sparkle. The pendant and semi-flush fixtures include a Blush fabric shade that diffuses the light and warms the glow.



MEASUREMENTS

DIMENSION : 16.5" W x 15" H
 CANOPY : 5" W x 1.2" H x 5" L
 HANGING WEIGHT : 2.97 lb

LAMPING

INPUT VOLTAGE : 120V
 BULB : 3 x 75W Incandescent E26 Medium , 225W Total
 BULB INCLUDED : (Not Included)
 DIMMABLE : Yes

FINISHES OPTION

 Polished Nickel (PN)

GLASS

Clear CL

MATERIAL

Metal, Crystal, Glass, Fabric

RATINGS

cULus
 Dry Location



ADDITIONAL

OPERATING TEMPERATURE:
 -20°C (-4°F), 40°C (104°F)

Always consult a qualified electrician before installing any lighting product.



WESTERN DISTRIBUTION CENTER (HEADQUARTER)
 253 NORTH VINELAND AVE | CITY OF INDUSTRY, CA 91746

EASTERN DISTRIBUTION CENTER
 101 GARDNER PARK | PEACHTREE CITY, GA 30269

P. 626.956.4200 | F. 626.956.4225 | maximlighting.com