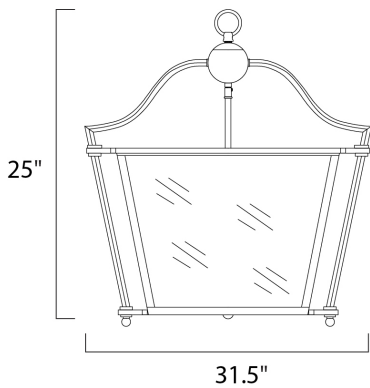




**PRODUCT DESCRIPTION**

A collection of classic colonial design which features formed metal frames finished in a rich Natural Aged Brass. The Clear glass panels are framed in a contrasting black which gives the design dimension.



**MEASUREMENTS**

DIMENSION : 31.5" W x 25" H

HANGING WEIGHT : 24.2 lb

**LAMPING**

INPUT VOLTAGE : 120V

BULB : 5 x 60W Incandescent E12 Candelabra , 300W Total

BULB INCLUDED : (Not Included)

DIMMABLE :

**FINISHES OPTION**

 Natural Aged Brass

**GLASS**

Clear CL

**MATERIAL**

Metal

**RATINGS**

Dry Location



**ADDITIONAL**

OPERATING TEMPERATURE:  
-20°C (-4°F), 40°C (104°F)

Always consult a qualified electrician before installing any lighting product.



**WESTERN DISTRIBUTION CENTER (HEADQUARTER)**  
253 NORTH VINELAND AVE | CITY OF INDUSTRY, CA 91746

**EASTERN DISTRIBUTION CENTER**  
4200 SHIRLEY DR. | ATLANTA, GA 30336

P. 626.956.4200 | F. 626.956.4225 | maximlighting.com