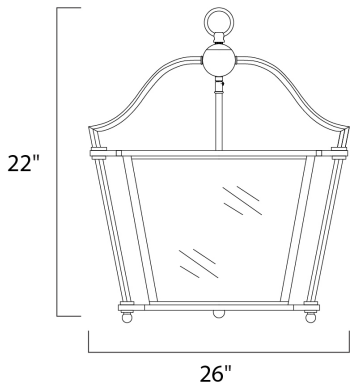




PRODUCT DESCRIPTION

A collection of classic colonial design which features formed metal frames finished in a rich Natural Aged Brass. The Clear glass panels are framed in a contrasting black which gives the design dimension.



MEASUREMENTS

DIMENSION : 26" W x 22" H

HANGING WEIGHT : 19.8 lb

LAMPING

INPUT VOLTAGE : 120V

BULB : 4 x 60W Incandescent CA , 240W Total

BULB INCLUDED : (Not Included)

DIMMABLE :

FINISHES OPTION

 Natural Aged Brass

GLASS

Clear CL

MATERIAL

Metal

RATINGS

Dry Location



ADDITIONAL

OPERATING TEMPERATURE:
-20°C (-4°F), 40°C (104°F)

Always consult a qualified electrician before installing any lighting product.



WESTERN DISTRIBUTION CENTER (HEADQUARTER)
253 NORTH VINELAND AVE | CITY OF INDUSTRY, CA 91746

EASTERN DISTRIBUTION CENTER
4200 SHIRLEY DR. | ATLANTA, GA 30336

P. 626.956.4200 | F. 626.956.4225 | maximlighting.com