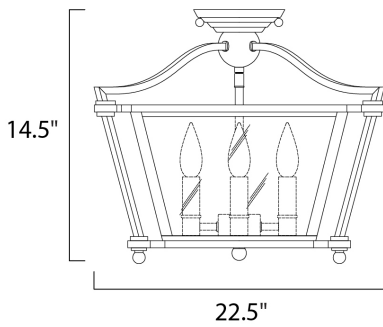




PRODUCT DESCRIPTION

A collection of classic colonial design which features formed metal frames finished in a rich Natural Aged Brass. The Clear glass panels are framed in a contrasting black which gives the design dimension.



MEASUREMENTS

DIMENSION : 22.5" W x 14.5" H
 HANGING WEIGHT : 14.3 lb

LAMPING

INPUT VOLTAGE : 120V
 BULB : 4 x 60W Incandescent CA , 240W Total
 DIMMABLE :

FINISHES OPTION

 Natural Aged Brass

GLASS

Clear CL

MATERIAL

Metal

RATINGS

Dry Location



ADDITIONAL

OPERATING TEMPERATURE:
 -20°C (-4°F), 40°C (104°F)

Always consult a qualified electrician before installing any lighting product.



WESTERN DISTRIBUTION CENTER (HEADQUARTER)
 253 NORTH VINELAND AVE | CITY OF INDUSTRY, CA 91746

EASTERN DISTRIBUTION CENTER
 4200 SHIRLEY DR. | ATLANTA, GA 30336

P. 626.956.4200 | F. 626.956.4225 | maximlighting.com