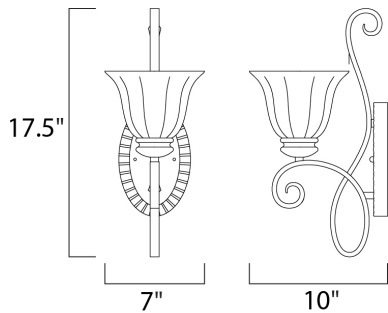




PRODUCT DESCRIPTION

A curvaceous metal frame finished in Platinum Dusk tastefully support fluted Wilshire glass shades.




MEASUREMENTS

DIMENSION : 7" W x 17.5" H x 10" Ext
 MAX OAH : 5" W x 8" H
 HANGING WEIGHT : 2.73 lb

LAMPING

INPUT VOLTAGE : 120V
 BULB : 1 x 60W Incandescent E26 Medium , 60W Total
 BULB INCLUDED : (Not Included)
 DIMMABLE : Yes

FINISHES OPTION

 Platinum Dusk (PD)

GLASS

Wilshire WS

MATERIAL

Steel

RATINGS

Damp Location



ADDITIONAL

INSTALL UP/DOWN: Up/Down
 OPERATING TEMPERATURE:
 -20°C (-4°F), 40°C (104°F)

Always consult a qualified electrician before installing any lighting product.



WESTERN DISTRIBUTION CENTER (HEADQUARTER)
 253 NORTH VINELAND AVE | CITY OF INDUSTRY, CA 91746

EASTERN DISTRIBUTION CENTER
 101 GARDNER PARK | PEACHTREE CITY, GA 30269

P. 626.956.4200 | F. 626.956.4225 | maxilighting.com