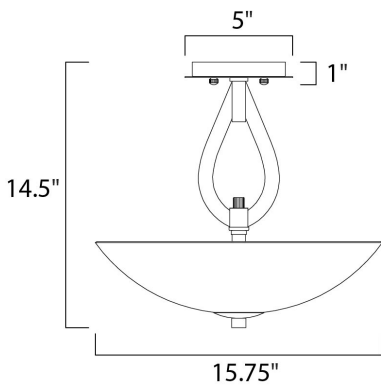




PRODUCT DESCRIPTION

Heavy arms sweep up from the bottom of a large teardrop center column to support the tall Satin White Glass shades of the Elan collection. The choice of elegant finishes includes Textured Ebony or Polished Chrome.



MEASUREMENTS

DIMENSION : 15.75" W x 14.5" H

HANGING WEIGHT : 7.3 lb

LAMPING



INPUT VOLTAGE : 120V

BULB : 3 x 60W Incandescent E26 Medium , 180W Total

BULB INCLUDED : (Not Included)

DIMMABLE : Standard

FINISHES OPTION

-  Polished Chrome
-  Texture Ebony

GLASS

Satin White SW

RATINGS

Dry Location



ADDITIONAL

OPERATING TEMPERATURE:
-20°C (-4°F), 40°C (104°F)

Always consult a qualified electrician before installing any lighting product.



WESTERN DISTRIBUTION CENTER (HEADQUARTER)
253 NORTH VINELAND AVE | CITY OF INDUSTRY, CA 91746

EASTERN DISTRIBUTION CENTER
4200 SHIRLEY DR. | ATLANTA, GA 30336

P. 626.956.4200 | F. 626.956.4225 | maximlighting.com