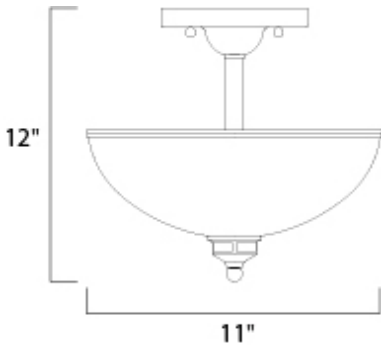




**PRODUCT DESCRIPTION**

A complete collection of builder driven lighting features sweeping arms that support bowl shaped Satin White glass shades. The shade support reveals the glass above for an interesting design element. Available in Polished Chrome for contemporary and transitional decor and Oil Rubbed Bronze for the more traditional home design.





**MEASUREMENTS**

DIMENSION : 11" L x 11" W x 12" H  
 HANGING WEIGHT : 3.18 lb

**LAMPING**

INPUT VOLTAGE : 120V  
 BULB : 2 x 60W Incandescent E26 Medium , 120W Total  
 BULB INCLUDED : (Not Included)  
 DIMMABLE : Yes

**FINISHES OPTION**

-  Oil Rubbed Bronze (OI)
-  Polished Chrome (PC)

**GLASS**

Satin White SW

**MATERIAL**

Steel

**RATINGS**

cETLus  
 Dry Location



**ADDITIONAL**

OPERATING TEMPERATURE:  
 -20°C (-4°F), 40°C (104°F)

Always consult a qualified electrician before installing any lighting product.



WESTERN DISTRIBUTION CENTER (HEADQUARTER)  
 253 NORTH VINELAND AVE | CITY OF INDUSTRY, CA 91746

EASTERN DISTRIBUTION CENTER  
 101 GARDNER PARK | PEACHTREE CITY, GA 30269

P. 626.956.4200 | F. 626.956.4225 | maxilighting.com