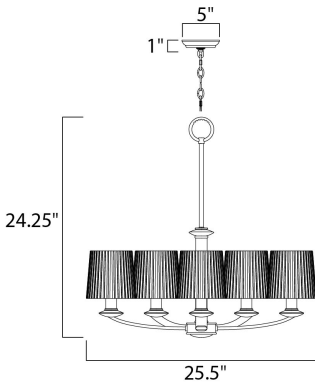




PRODUCT DESCRIPTION

The classic Finesse collection features sweeping oval tube arms that transition to sculptured fonts. The pleated glass shade in Dusty White or Frost shed a warm diffused light. The body is finished in Satin Nickel or Oil Rubbed Bronze.



MEASUREMENTS

DIMENSION : 25.5" W x 24.25" H
 HANGING WEIGHT : 15.97 lb

LAMPING

INPUT VOLTAGE : 120V
 BULB : 5 x 60W Incandescent CA , 300W Total
 BULB INCLUDED : (Not Included)
 DIMMABLE : Yes

FINISHES OPTION

-  Oil Rubbed Bronze
-  Satin Nickel

GLASS

Dusty White DW

RATINGS

cULus
 Dry Location



ADDITIONAL

OPERATING TEMPERATURE:
 -20°C (-4°F), 40°C (104°F)

Always consult a qualified electrician before installing any lighting product.



WESTERN DISTRIBUTION CENTER (HEADQUARTER)
 253 NORTH VINELAND AVE | CITY OF INDUSTRY, CA 91746

EASTERN DISTRIBUTION CENTER
 4200 SHIRLEY DR. | ATLANTA, GA 30336

P. 626.956.4200 | F. 626.956.4225 | maximlighting.com