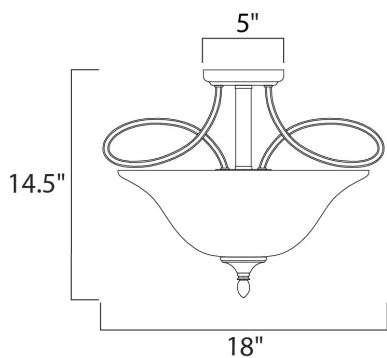




PRODUCT DESCRIPTION

Classic transitional design using oval shaped tubing finished in our popular Oil Rubbed Bronze with stately Wilshire glass shades.



MEASUREMENTS

DIMENSION : 18" L x 18" W x 14.5" H
 CANOPY : 5" W x 1" H x 5" L
 HANGING WEIGHT : 7.06 lb

LAMPING

INPUT VOLTAGE : 120V
 BULB : 3 x 60W Incandescent E26 Medium , 180W Total
 BULB INCLUDED : (Not Included)
 DIMMABLE : Yes

FINISHES OPTION

 Oil Rubbed Bronze (OI)

GLASS

Wilshire WS

MATERIAL

Steel, Glass

RATINGS

cETLus
 Dry Location



ADDITIONAL

OPERATING TEMPERATURE:
 -20°C (-4°F), 40°C (104°F)

Always consult a qualified electrician before installing any lighting product.



WESTERN DISTRIBUTION CENTER (HEADQUARTER)
 253 NORTH VINELAND AVE | CITY OF INDUSTRY, CA 91746

EASTERN DISTRIBUTION CENTER
 101 GARDNER PARK | PEACHTREE CITY, GA 30269

P. 626.956.4200 | F. 626.956.4225 | maxilighting.com