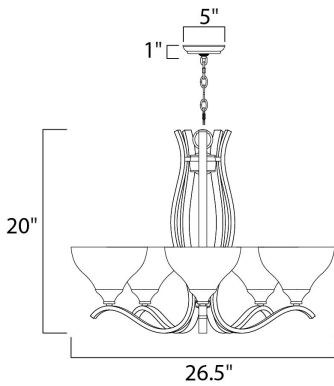




**PRODUCT DESCRIPTION**

Sleek modern form available in your choice of Oil Rubbed Bronze or Satin Nickel finish. The Frost glass shade gently melds into the flowing lines of the frame.



**MEASUREMENTS**

DIMENSION : 26.5" W x 20" H

HANGING WEIGHT : 13.1 lb

**LAMPING**

INPUT VOLTAGE : 120V

BULB : 5 x 60W Incandescent E26 Medium , 300W Total

BULB INCLUDED : (Not Included)

DIMMABLE : Standard Dimmer

**FINISHES OPTION**

 Satin Nickel (SN)

**GLASS**

Frosted FT

**MATERIAL**

Steel

**RATINGS**

Dry Location



**ADDITIONAL**

OPERATING TEMPERATURE:  
-20°C (-4°F), 40°C (104°F)

Always consult a qualified electrician before installing any lighting product.



WESTERN DISTRIBUTION CENTER (HEADQUARTER)  
253 NORTH VINELAND AVE | CITY OF INDUSTRY, CA 91746

EASTERN DISTRIBUTION CENTER  
101 GARDNER PARK | PEACHTREE CITY, GA 30269

P. 626.956.4200 | F. 626.956.4225 | maximlighting.com