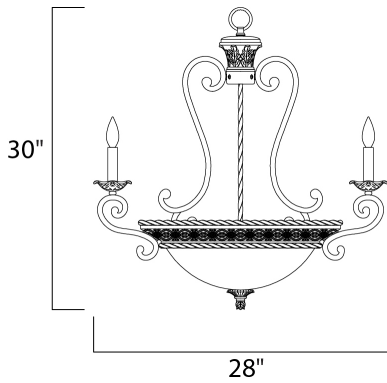




**PRODUCT DESCRIPTION**

The focal point of this lovely family is the ornately detailed rim finished in our Oil Rubbed Bronze finish that supports the Vintage Amber glass.




**MEASUREMENTS**

DIMENSION : 28" W x 30" H  
 HANGING WEIGHT : 27.12 lb

**LAMPING**

INPUT VOLTAGE : 120V  
 BULB : 60+60W Incandescent CA+MB , 480W Total  
 DIMMABLE : Standard  
 COLOR\_TEMP : 2500K

**FINISHES OPTION**

 Oil Rubbed Bronze

**GLASS**

Vintage Amber VA

**MATERIAL**

Steel

**RATINGS**

Dry Location



**ADDITIONAL**

RATED LIFE 1500 Hours  
 OPERATING TEMPERATURE:  
 -20°C (-4°F), 40°C (104°F)

Always consult a qualified electrician before installing any lighting product.



**WESTERN DISTRIBUTION CENTER (HEADQUARTER)**  
 253 NORTH VINELAND AVE | CITY OF INDUSTRY, CA 91746

**EASTERN DISTRIBUTION CENTER**  
 4200 SHIRLEY DR. | ATLANTA, GA 30336

P. 626.956.4200 | F. 626.956.4225 | maximlighting.com