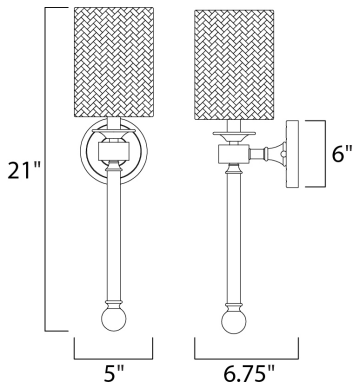




**PRODUCT DESCRIPTION**

Unique and dramatic pendants are created using solid, Clear glass rods that fit into castings finished in Polished Nickel or Heritage Brass. The elongated forms are great for foyer spaces and stairways, while the sconces provide a chic accent to the space they are installed. Combining contemporary sleekness with classic styling, this collection complements a wide range of decor styles.





**MEASUREMENTS**

DIMENSION : 5" W x 21" H x 6.75" Ext  
 MAX OAH : 6" W x 6" H  
 HANGING WEIGHT : 2.68 lb

**LAMPING**

INPUT VOLTAGE : 120V  
 BULB : 1 x 60W Incandescent E12 Candelabra , 60W Total  
 BULB INCLUDED : (Not Included)  
 DIMMABLE : Yes

**FINISHES OPTION**

-  Heritage (HR)
-  Polished Nickel (PN)

**GLASS**

Clear CL

**MATERIAL**

Steel, Glass

**RATINGS**

cETLus  
 Damp Location



**ADDITIONAL**

INSTALL UP/DOWN: Up  
 OPERATING TEMPERATURE:  
 -20°C (-4°F), 40°C (104°F)

Always consult a qualified electrician before installing any lighting product.



WESTERN DISTRIBUTION CENTER (HEADQUARTER)  
 253 NORTH VINELAND AVE | CITY OF INDUSTRY, CA 91746

EASTERN DISTRIBUTION CENTER  
 101 GARDNER PARK | PEACHTREE CITY, GA 30269

P. 626.956.4200 | F. 626.956.4225 | maximlighting.com