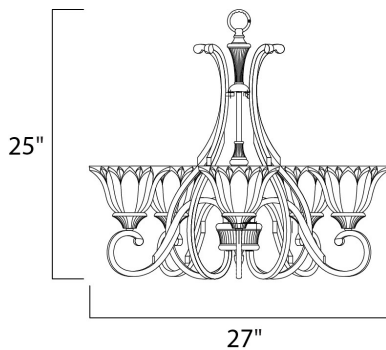




#### PRODUCT DESCRIPTION

Sculptured Wilshire glass shades adorn this metal frame painted in our Oil Rubbed Bronze finish make this competitively price family a sure fired winner.



#### MEASUREMENTS

DIMENSION : 27" W x 25" H

HANGING WEIGHT : 16.4 lb

#### LAMPING

INPUT VOLTAGE : 120V

BULB : 5 x 60W Incandescent E26 Medium , 300W Total

BULB INCLUDED : (Not Included)

DIMMABLE : Yes

#### FINISHES OPTION

Oil Rubbed Bronze (OI)

#### GLASS

Wilshire WS

#### MATERIAL

Steel

#### RATINGS

Dry Location



#### ADDITIONAL

OPERATING TEMPERATURE:  
-20°C (-4°F), 40°C (104°F)

Always consult a qualified electrician before installing any lighting product.