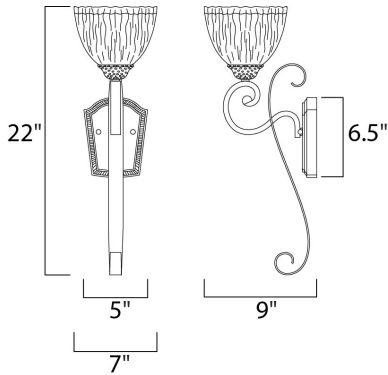




**PRODUCT DESCRIPTION**

Heavy hand forged frames finished in Oil Rubbed Bronze is warmed by the glow of our new Amber Ice glass.



**MEASUREMENTS**

DIMENSION : 7" W x 22" H x 9" Ext  
 MAX OAH : 5.12" W x 6.41" H  
 HANGING WEIGHT : 4.06 lb

**LAMPING**

INPUT VOLTAGE : 120V  
 BULB : 1 x 100W Incandescent E26 Medium , 100W Total  
 BULB INCLUDED : (Not Included)  
 DIMMABLE : Standard Dimmer  
 LIGHTING\_DIRECTION : Both

**FINISHES OPTION**

 Oil Rubbed Bronze

**GLASS**

Amber Ice Al

**MATERIAL**

Iron

**RATINGS**

Dry Location



**ADDITIONAL**

INSTALL UP/DOWN: Both  
 OPERATING TEMPERATURE:  
 -20°C (-4°F), 40°C (104°F)

Always consult a qualified electrician before installing any lighting product.



**WESTERN DISTRIBUTION CENTER (HEADQUARTER)**  
 253 NORTH VINELAND AVE | CITY OF INDUSTRY, CA 91746

**EASTERN DISTRIBUTION CENTER**  
 4200 SHIRLEY DR. | ATLANTA, GA 30336

P. 626.956.4200 | F. 626.956.4225 | maximlighting.com